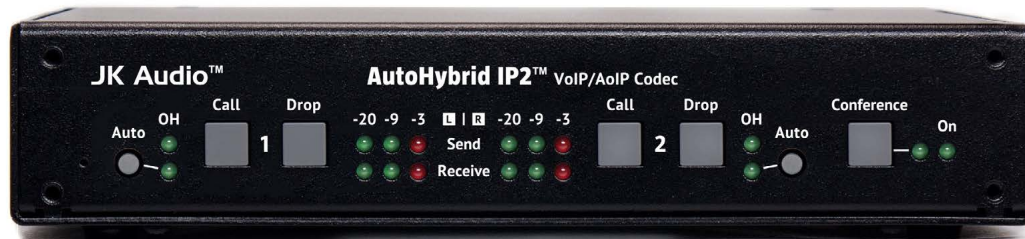


AutoHybrid IP2™

VoIP/AoIP Codec



FEATURES

- » Simple 2-Line VoIP Call Control, Auto-Answer, and Conference
- » Caller ID
- » G.711, G.722 (HD Voice) VoIP Hybrid
- » 24-bit AoIP Wide Band Stereo Codec
- » AGC & Ducking
- » Send and Receive LED Metering
- » Female XLR Line Input (2)
- » Male XLR Line Output (2)
- » LAN, USB, Remote Control Connections
- » Rear Panel Recessed Level Controls
- » Remote Control I/O Terminal Block
- » PoE or AC Mains Powered
- » Optional RA2 Rack Mount Adapter

A Smooth Transition from POTS to IP.

This simple product plays a critical role in studio interview, monitoring, and IFB applications. As the name implies, AutoHybrid IP2™ functions as a two-line VoIP hybrid. The desktop/half-rack design provides one button access to the common features of a phone line hybrid including: call control, auto-answer, and conference. Advanced call control features and VoIP line setup are provided through the internal web server. In VoIP mode, Line-level XLR jacks provide mono send and receive audio for Line 1 and Line 2.

Stream Wide Band Stereo Audio.

AutoHybrid IP2™ also functions as an Audio over IP (AoIP) Codec, streaming wide-band stereo audio. In AoIP mode, the XLR jacks provide stereo send and receive audio.

Compatible with your Party Line Intercom.

The AutoHybrid IP2™ Remote jack allows easy connection to the JK Audio Interchange™ Intercom Phone Bridge, offering an auto-answer VoIP connection into your party-line intercom.

Energy Efficient. Low power consumption for Power over Ethernet (PoE) applications. External power supply included for LAN connections without PoE capability.

Accessories

RA2™ Rack Panel

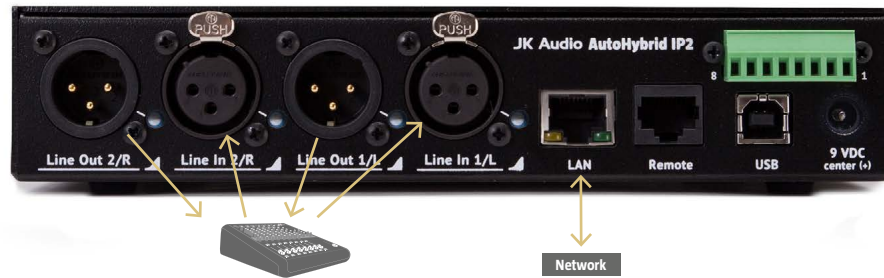
The RA2 holds two AutoHybrid IP2's OR one AutoHybrid IP2 and one Interchange in a 1U rack space.



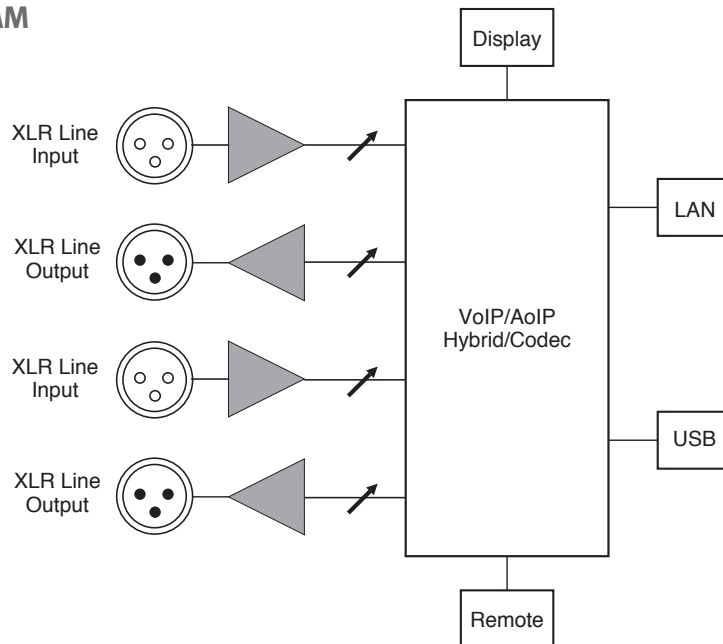
AutoHybrid IP2™

VoIP/AoIP Codec

REAR VIEW



BLOCK DIAGRAM



SPECIFICATIONS

Input

Balanced Female XLR:	20k ohms 500 mV RMS (-4 dBu nom) +12 dBu max
-----------------------------	---

Output

Balanced Male XLR:	50 ohms 500 mV RMS (-4 dBu nom) +12 dBu max
---------------------------	--

Remote Jack: RJ50 Proprietary interface to JK Audio products

Remote Header: Removable screw terminal block: Call, Drop, Ring/OH LED, GND (x2)

Power: PoE (Power over Ethernet) or +9 VDC with included AC power supply

Size: 7.6" x 5.3" x 1.5" (20 x 14 x 4 cm)

Weight: 1.2 lbs (0.5 kg)

