

innkeeper LTD

DIGITAL HYBRID



FEATURES

- Excellent separation of caller and talent voice
- 16 bit DSP technology
- Proprietary auto null algorithm, 50 dB null
- Send XLR line input
- Caller XLR line output
- Send and Caller signal level LEDs
- Guest Module Remote control jack
- Auto-Answer switch
- Line and Aux RJ11 jacks
- Rack Mountable

Plain and simple may be the best words to describe the new innkeeper LTD Digital Hybrid. Our simplest digital hybrid yet, innkeeper LTD allows you to send line level signals into the phone line while maintaining excellent separation between your voice and the caller. The balanced XLR output jack contains only the caller's voice, making this the perfect companion to mixers, consoles, and PA systems that demand talk show quality audio from a phone line.

The digital hybrid connects audio signals to a standard analog telephone line without the transmit / receive crosstalk common to analog hybrids. Its Digital Signal Processor (DSP) continuously monitors both the phone line and audio signals to deliver excellent separation. This proprietary, dual-convergence echo canceller algorithm can achieve excellent separation, typically exceeding 50 dB, without any setup and without sending a noise burst down the line. While this may sound complicated, it's all done automatically during every call.

An auxiliary telephone is only required to place outgoing calls. The auxiliary telephone is disconnected when you press the "Call" button, and reconnected when you press the "Drop" button. The "Remote" jack allows connection to a JK Audio Guest Module, allowing remote control and dialing without an auxiliary telephone.

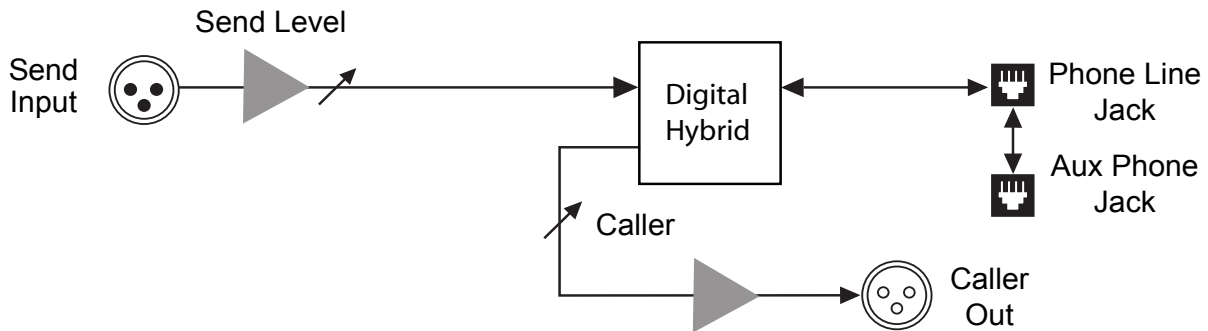
Innkeeper LTD features Auto-Answer/Auto Disconnect for use in IFB and monitoring applications. Other applications include: telephone interviews, talk shows, church PA interface, and conference room full duplex applications. This simple design features recessed volume controls and no confusing DIP switches, yet works reliably on standard analog phone lines around the world.

The RA2 Rackmount accessory holds two innkeeper LTDs in a 1U rack space.

JK Audio



Rear View



Specifications

	Input	Output		
	Balanced Female XLR	Balanced Male XLR	Phone Line:	RJ11C
Impedance:	20k ohms	200 ohms	Aux. Phone:	RJ11C
Level (Line)	500 mV RMS (-4dBu nom.) +12 dBu max	500 mV RMS (-4 dBu nom) +14 dBu max	Isolation:	1500 VAC
			Ringer:	0.8B REN
Frequency Response:	Telephone Side 200 Hz - 3600 Hz		Power:	120-240 VAC power supply (included)
Size:	7.6" x 5.3" x 1.5" (20 x 14 x 4 cm)		Weight:	2.7 pounds (1.2 kg)