



Broadcast Host

DESKTOP DIGITAL HYBRID



FEATURES

- Excellent separation of caller and talent voice
- 16 bit DSP technology
- Proprietary auto null algorithm, 50 dB null
- XLR input (mic / line switch)
- 3.5 mm mono line input
- XLR caller output
- 3.5 mm stereo line output
- Send & Receive LEDs
- Send & receive volume controls
- Headphone jack, 3.5 mm stereo, both sides mixed send and receive
- Headphone Volume control
- Guest Module remote control jack
- Auto answer / disconnect

Broadcast Host turns your desktop into a professional broadcast center. Contains everything you need to get talk show quality phone recordings into your mixer or sound card.

Connect a mic and headphones for a simple broadcast back to the station. Already at the station? Use Broadcast Host in your newsroom to record high quality interviews. Broadcast Host allows you to send mic and line level signals into the phone line while maintaining excellent separation between your voice and the caller. The stereo output jack on the back of the unit provides your voice on one channel and only the caller's voice on the other channel. The balanced XLR output jack contains only the caller's voice.

The digital hybrid connects audio signals to a standard analog telephone line without the transmit / receive crosstalk common to analog hybrids. The Digital Signal Processor (DSP) continuously monitors both the phone line and audio signals to deliver excellent separation. This proprietary, dual-convergence echo canceller algorithm can achieve excellent separation, typically exceeding 50 dB, without any setup and without sending a noise burst down the line.

Broadcast Host provides connections for a microphone, headphones, mixer, sound card, telephone and your analog telephone line. An auxiliary telephone is only required to place outgoing calls. The auxiliary telephone is disconnected when you press the "Call" button, and reconnected when you press the "Drop" button.

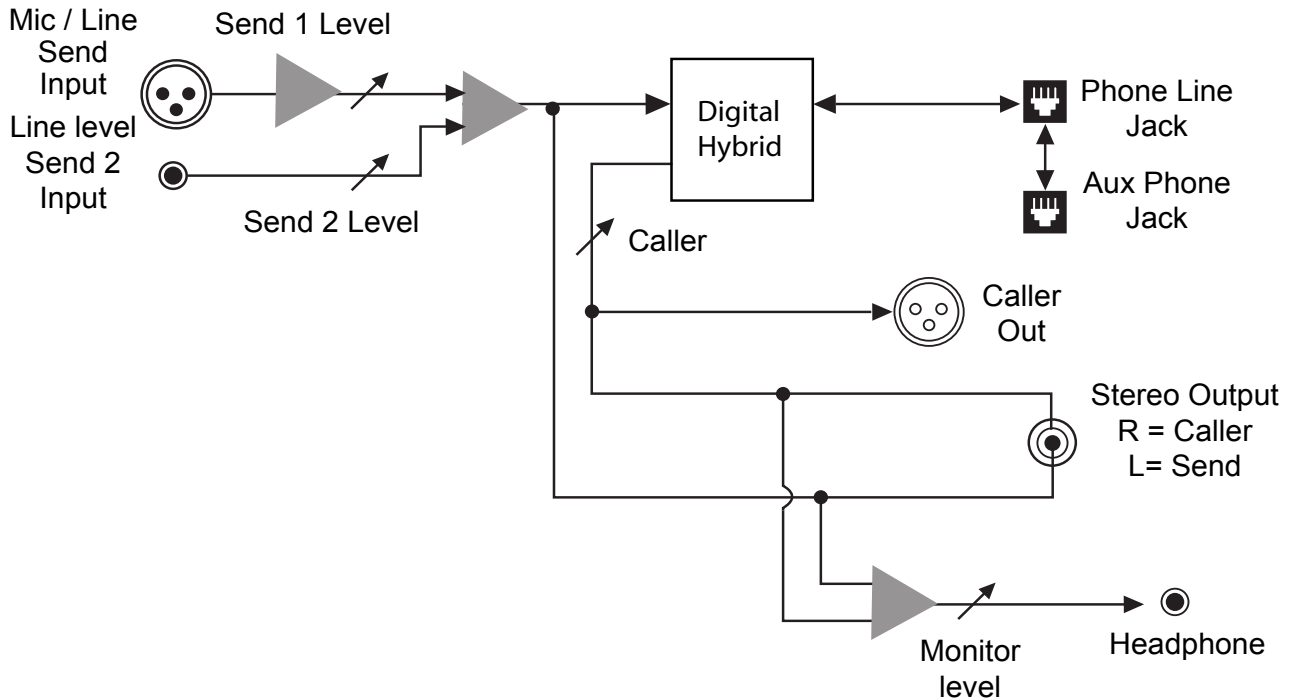
Broadcast Host features Auto-Answer/Auto Disconnect for use in IFB and monitoring applications. Other applications include: Podcasting/telephone interviews, talk shows, church PA interface, and conference room full duplex applications.

Broadcast Host

DESKTOP DIGITAL HYBRID



Rear View



Specifications

	Input		Output		
	Balanced Female XLR	1/8" (3.5mm) Mono	Balanced Male XLR	Unbalanced 1/8" (3.5mm) Stereo	Headphone 1/8" (3.5mm) Stereo
Impedance:	1 k ohms	20k ohms	200 ohms	50 ohms	8 ohms
Level:	15 mV RMS (-34 dBu) nom Mic/Line pad switch = +6 dBu max	250 mV RMS (-10 dBu nom)	500 mV RMS (-4 dBu) nom +14 dBu max Caller Only	250 mV RMS (+6 dBu max.) Left = Send Right = Caller	250 mW Mixed Send and Receive
Phone Line Connectors:	RJ-11C		Frequency Response:	Telephone side 200 Hz - 3600 Hz	
Isolation:	1500 VAC		Size:	7" x 6" x 1.6" (18 x 15 x 4.2 cm)	
Ringer:	0.5B REN				
Power:	120-240 VAC power supply		Weight:	2.2 lbs. (1kg)	